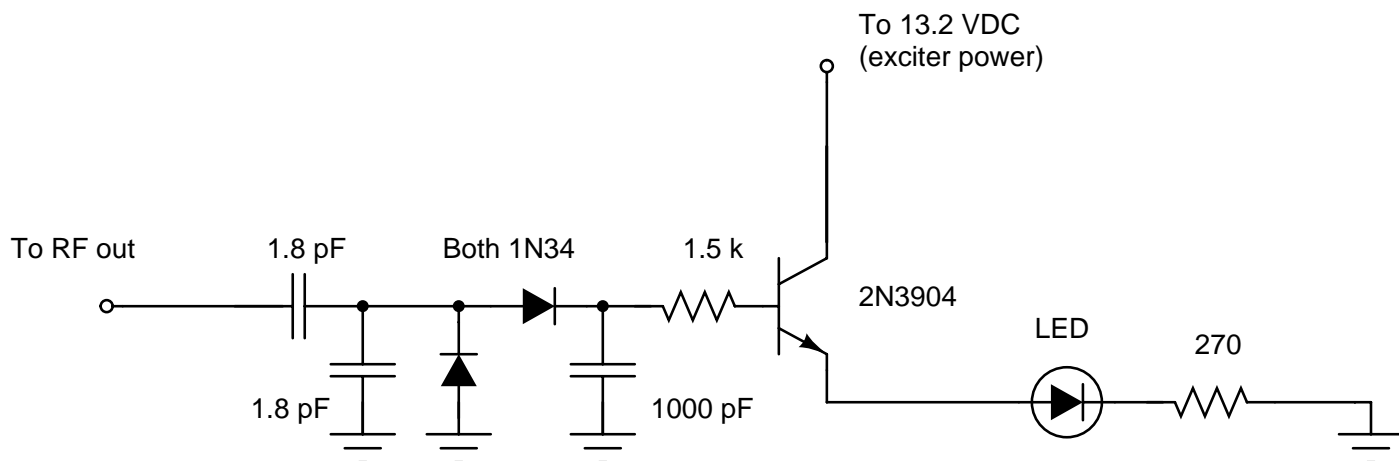


PLL Lock Indicator (from Panaxis)



RF Output Power Indicator (from Veronica)

Parts Modifications

- Add 1000 pF capacitor across Audio Input pad to ground
- Change R22 and R25 to 470 ohm 1% metal film
- Change R24 to 12 k ohm 1% metal film with 10 uH inductor in series
- Change R23 to 1 k ohm 1% metal film
- Change R9 to 10 ohm 1% metal film
- Add 1M ohm resistor across X1 leads
- Solder female BNC jack directly to RF output pads
- Glue down L2
- Place LCD display on ribbon cable and mount on front of case
- Place grounded metal shields around L4 and L5 (from surplus inductors)

See the Mark Weiss (members.tripod.com/AMN92) VCO schematic for more ideas